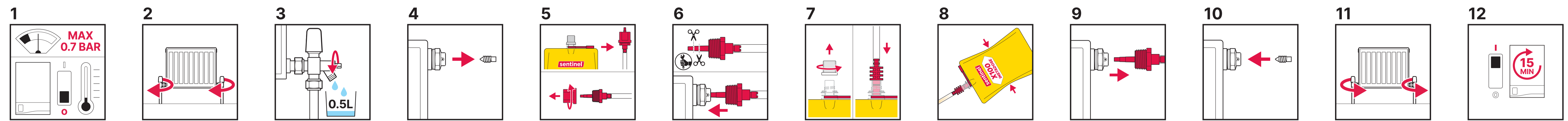
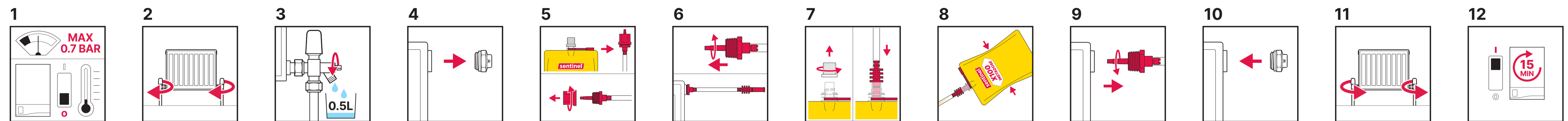


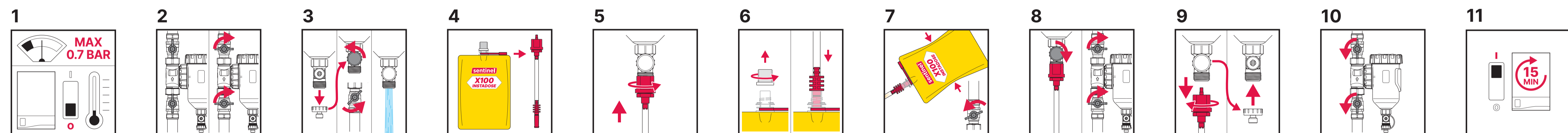
Dosing via radiator bleed pin



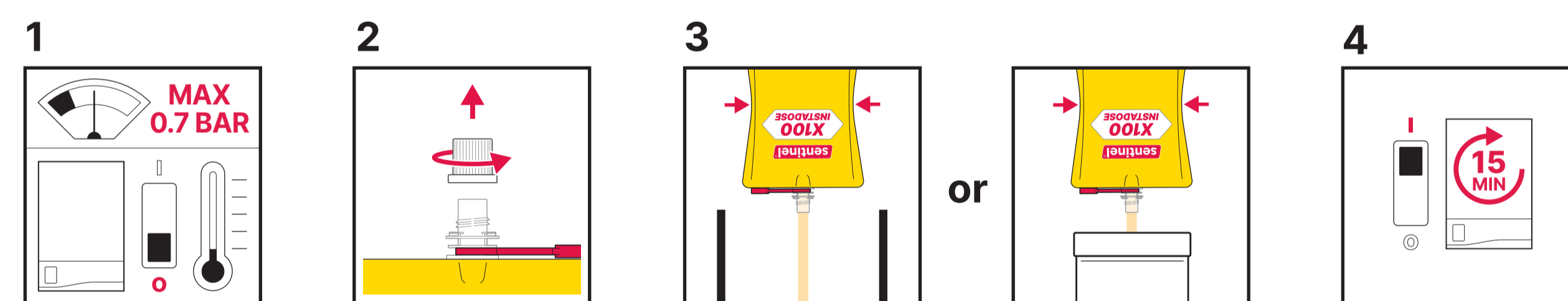
Dosing via radiator bleed valve



Dosing via filter



Dosing via feed & expansion tank or open access (i.e. a stripped down filter)



Dosing via filling loop / non-return valve

